

CONTENTS:

OVERVIEW

FEATURES

ADVANTAGES

SPECIFICATIONS

HYDRAULIC

MECHANICAL

ELECTRICAL

COMMUNICATION
PARAMETERS

STANDARDS

MECHANICAL INTERFACE

OVERVIEW

HydroSpin Monitoring Solutions Ltd. provides proprietary hydro generator systems that generate energy from the water flow within pipes to operate monitoring and control systems along the water distribution network.

HydroSpin 3" SWING hydro-power generator generates power from the flow within water distribution pipes. The energy generated is suitable to support a wide range of applications such as flow and pressure instruments, 24/7 communication systems, dynamic pressure control systems, water quality analyzers, and data loggers.

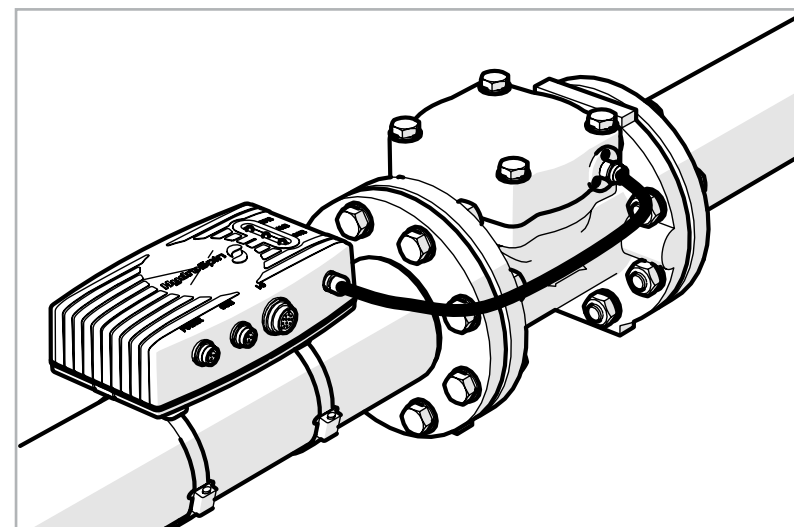
HydroSpin 3" SWING is a standalone unit, easily integrated with any DN80 (3") pipe along the water distribution network, and designed for minimal head loss by implementing its proprietary swing mechanism.

HydroSpin 3" SWING kit includes:

- Hydro-generator
- HydroCharger
- Internal rechargeable battery

FEATURES

- Patented wet generator and proprietary charging units
- Provides power 24/7 for monitoring and control instrumentations
- Suitable for drinking water distribution pipes
- Power generation 10W/20W
- Minimal water head loss
- Standalone wafer unit, easily installed on any DN80 (3") pipe
- Includes proprietary swing mechanism for maintaining low head loss any time
- Certification – NSF 61, WRAS



ADVANTAGES

HydroSpin 3" SWING series enables 24/7 power availability to all monitoring and control systems, anywhere along the water distribution network.

HydroSpin 3" SWING Hydro-Generator is a reliable power source replacing batteries, alternative power sources, and costly electrical connections, turning any water distribution network to a smart water network, through a simple and cost effective installation. HydroSpin 3" (DN80) SWING supports:

- Dynamic pressure control systems
- Flow and Pressure instrumentations
- Communication systems
- Water quality analyzers
- 24/7 data transmission
- Data Loggers

CONTACT US:

Hydrospin Monitoring
Solutions
8 Hazoran St.
Netanya, Israel

Tel: +972-74-7136666
Fax: +972-4-6709014

Email: info@h-spin.com
<http://www.h-spin.com>

CONTENTS:

OVERVIEW

FEATURES

ADVANTAGES

SPECIFICATIONS

HYDRAULIC

MECHANICAL

ELECTRICAL

COMMUNICATION
PARAMETERS

STANDARDS

MECHANICAL INTERFACE

SPECIFICATIONS

HYDRAULIC

Minimum water velocity	0.21 m/s
Maximum water velocity	5 m/s
Water quality	Drinking water

MECHANICAL

Plastic materials	Nylon 33% (NSF 61)
Pressure class	PN16
Fitting	ISO/BS
Environmental protection	IP68

ELECTRICAL

Generator outcome power	3 Phase AC (3-70VAC)
HydroCharger output volts	12/24 VDC
HydroCharger output watts	10W/20W (Vs flow)
Reverse flow	30% less power
Maximum external load	500mA (@24VDC)
Operated temperature	-20°C – 70°C
Internal rechargeable battery	Li-Ion 5.3AH (8.2V)
Typical duration without charge	48 hr (100mA const.)
HydroCharger internal consumption	5mA

COMMUNICATION PARAMETERS

Communication port	RS232
Protocol	Modbus RTU
Port baud rate	9600 [8,n,1]
Digital outputs	RPM, Alarm
Data logger	RPM, Battery Voltage, Generator Power, External Load (mA)



CONTACT US:

Hydrospin Monitoring Solutions
8 Hazoran St.
Netanya, Israel

Tel: +972-74-7136666
Fax: +972-4-6709014

Email: info@h-spin.com
<http://www.h-spin.com>

All specifications are subject to change without notice
Updated: 31.07.16

This document contains confidential, proprietary information.

Rev A

CONTENTS:

OVERVIEW

FEATURES

ADVANTAGES

SPECIFICATIONS

HYDRAULIC

MECHANICAL

ELECTRICAL

COMMUNICATION
PARAMETERS

STANDARDS

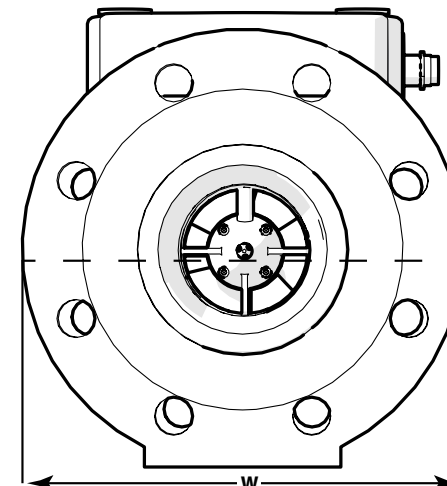
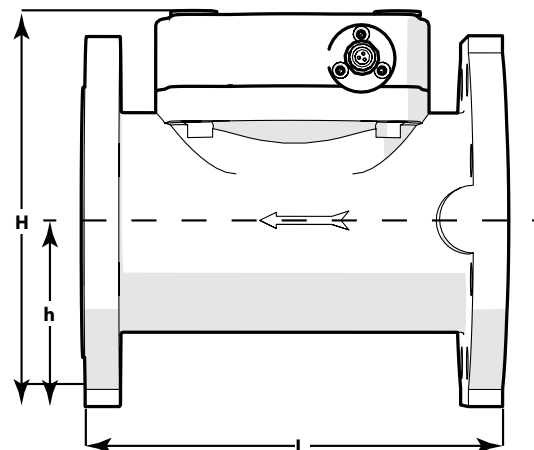
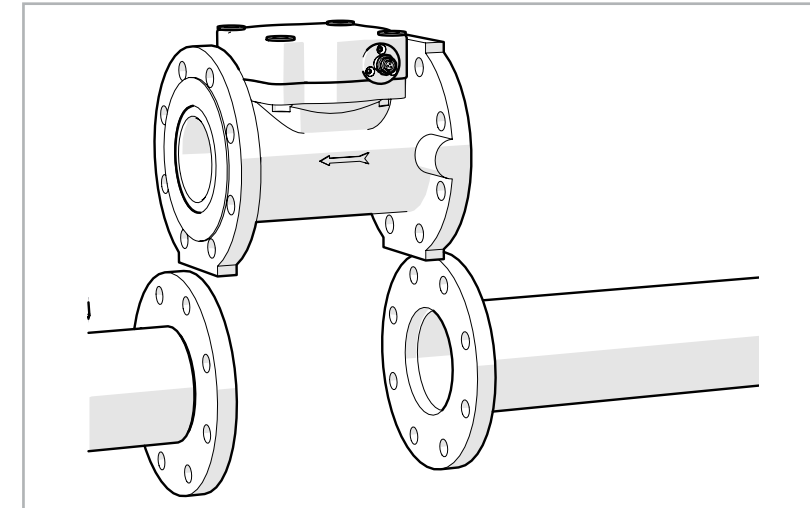
MECHANICAL INTERFACE

STANDARDS

Water standards	NSF 61, WRAS
Safety	IEC/EN 61010-1
EMC	EN 61326-1:13 IEC 61326-1:12 47 CFR part 15:14 Sub B ICES-003 issue 5

MECHANICAL INTERFACE

Nominal size (mm)	80
L - Length (mm)	225
W - Width (mm)	200
H - Height (mm)	210
h - Height (mm)	90
Weight (kg)	15.5



CONTACT US:

Hydrospin Monitoring
Solutions
8 Hazoran St.
Netanya, Israel

Tel: +972-74-7136666
Fax: +972-4-6709014

Email: info@h-spin.com
<http://www.h-spin.com>

All specifications are subject to
change without notice
Updated: 31.07.16